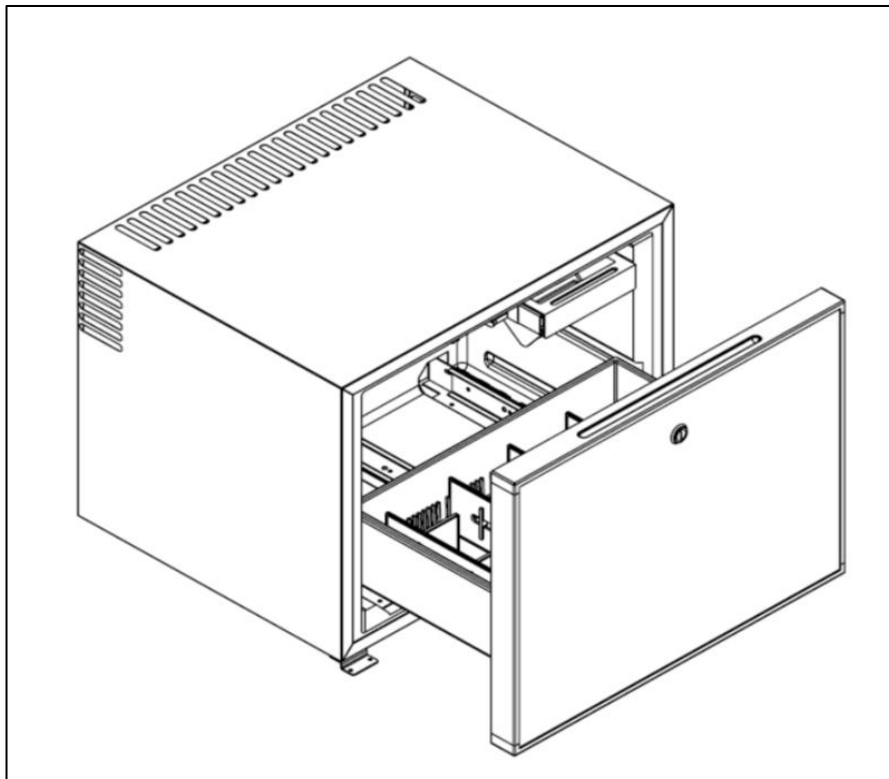


TECHNICAL SPECIFICATIONS



MODEL: 81914455

TECHNICAL DATA SHEET

CHARACTERISTICS

- Compartment Type : Cellar/ Killer
- Energy Efficient Class : G
- Climate Class : N
- Energy Consump. : 120,45 (KWh per year)
- Energy Efficiency Index : 124 %
- Power : 50 W
- Voltage / Freq. : 230 V / 50-60 Hz.
- Defrosting Type : Otomatik/Automatic
- Noise Emission : 23 (dB(A) re 1 pW)

ACCESSORIES

- Internal Light : Standart
- Thermostat Control : Electronic

TECHNICAL SPECIFICATIONS

- External Dims. : 417x549x483 mm (HxWxD)
- Internal Dims. : 295x432x289 mm (HxWxD)
- Pack. Dims. : 465x590x515 (HxWxD)
- Pack. Volume : 0,14 m³
- Net Volume : 41 lt
- Total Volume : 44 lt
- Gross Weight : (17,902 ±1) kg
- Net Weight : (16, 382±1) kg
- Outer Body : 0.4 mm.PVC Kaplı Sac / 0,4 PVC Cooted Sheet
- Inner Liner : Hips
- Insulation Material : Sert P.U. / Rigid P.U.
- Blowing Agent : C.Pentane
- Insulation Density : 38~40 kg/m³